

PULL OUT PRINTER CARRIAGE

SCE-20P□SPR
SCE-26P□SPR

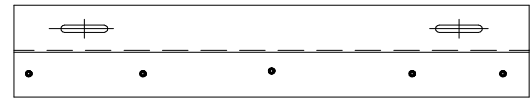
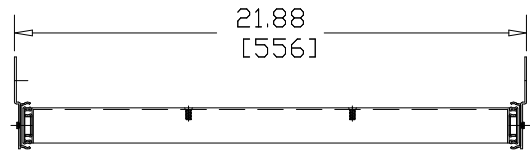
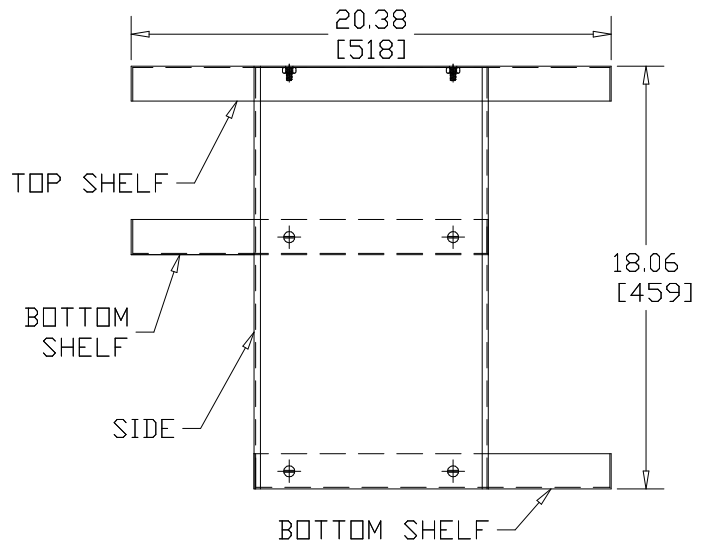
ITEM #	PART NAME	QUANTITY
1	Z-RAIL	2
2	SLIDE RAIL	2
3	1/4-20 X 3/4 SLOTTED HEX HEAD SCREW	4
4	1/4-20 CHANNEL NUTS	4

INSTALLATION INSTRUCTIONS

STEP 1: INSTALL (4) CHANNEL NUTS (ITEM 4) INTO CHANNELS PROVIDED ON THE RIGHT AND LEFT SIDE OF THE ENCLOSURE.

STEP 2: ATTACH RIGHT AND LEFT Z-RAIL (ITEM 1) AS SHOWN. USE (4) SCREWS (ITEM 3) AND THREAD INTO THE CHANNEL NUTS (ITEM 4) IN THE RIGHT AND LEFT SIDE.

STEP 3: ADJUST THE PULL OUT SHELF TO THE DESIRED HEIGHT AND THEN TIGHTEN THE SCREWS (ITEM 3).



TOP SHELF
(W/ SIDE RAILS)

