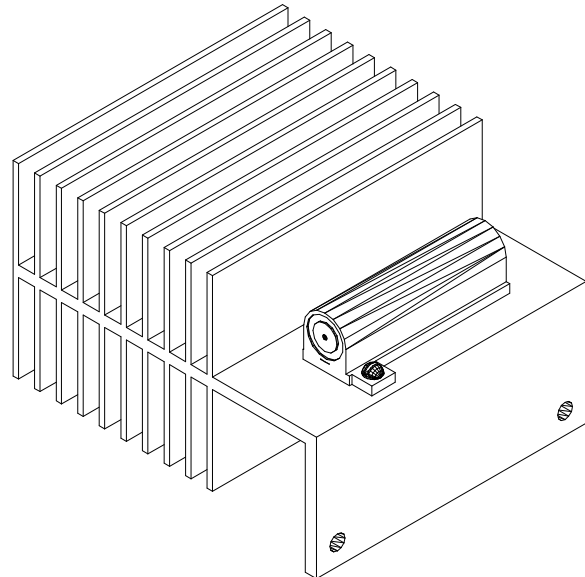
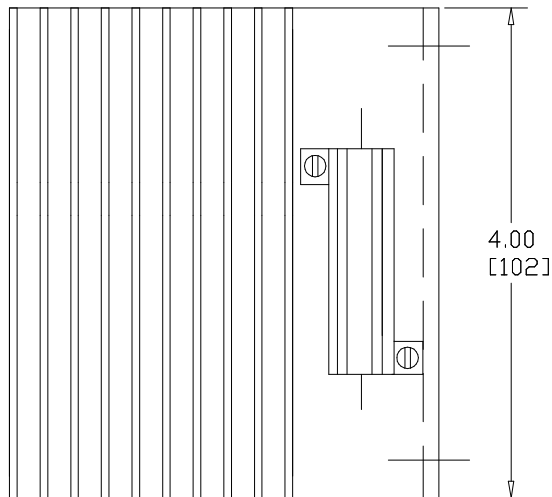
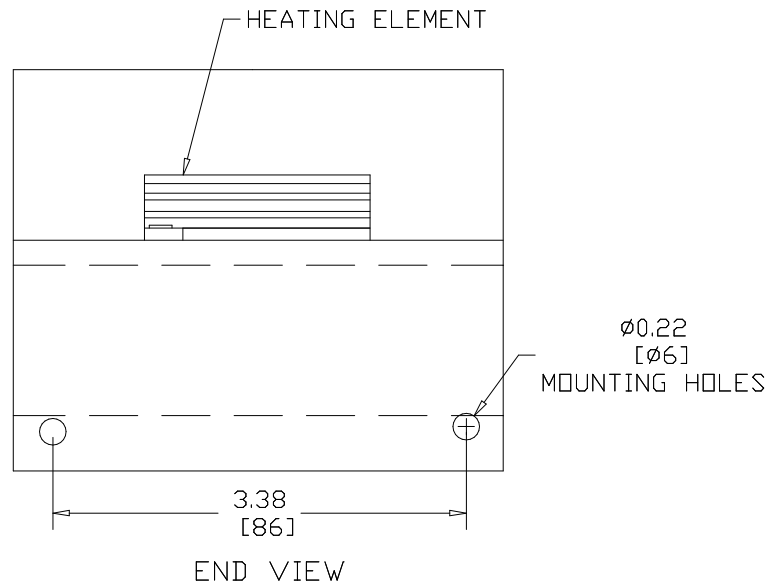
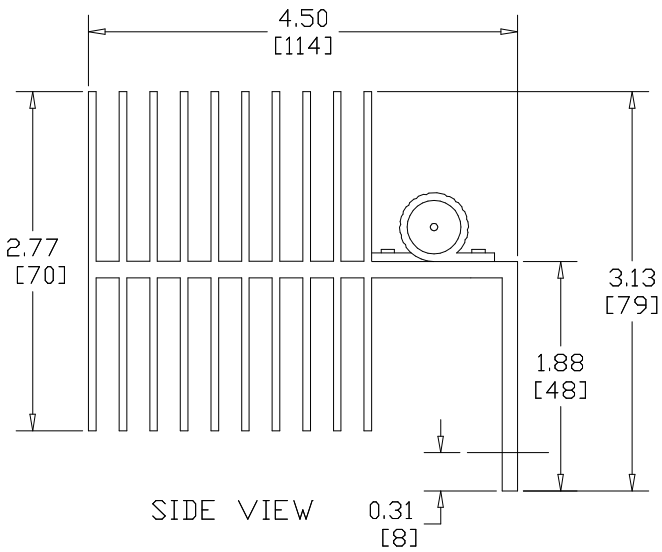


# ANTI-CONDENSATION HEATER

"AHC" TOUCH SAFE HEATER



## SPECIFICATIONS:

OPERATING TEMPERATURES -30C TO 60C.  
WATTS (15, 30 & 50) PER UNIT DEPENDING ON MODEL.  
EXTRUDED BLACK ANODIZED ALUMINUM.  
LIFE EXPECTANCY-20 YEARS.  
RATED 120 VAC, OUTPUT WILL VARY WITH AC OR DC VOLTAGE.  
WHEN POSSIBLE, TWO SMALLER UNITS ARE MORE EFFICIENT THAN ONE LARGER UNIT.

## MODEL SELECTION

DETERMINE SURFACE AREA OF ENCLOSURE IN SQUARE FEET, THEN SELECT "ACH" UNIT FROM CHART. UNITS SHOULD BE INSTALLED IN THE LOWER QUARTER OF THE ENCLOSURE.

EQUATION:  $2[(\text{HEIGHT} \times \text{WIDTH}) + (\text{HEIGHT} \times \text{DEPTH}) + (\text{WIDTH} \times \text{DEPTH})] \div 144$

SQ. FT AREA	SCE-AHC15	SCE-AHC30	SCE-AHC50
0 - 8	ONE		
9 - 16		ONE	
17 - 24		ONE	
25 - 32			ONE
33 - 40		TWO	
41 - 48		ONE	ONE
49 - 56		ONE	ONE
57 - 64	ONE		TWO
65 - 72		TWO	ONE
73 - 80		ONE	TWO
81 - 88			THREE