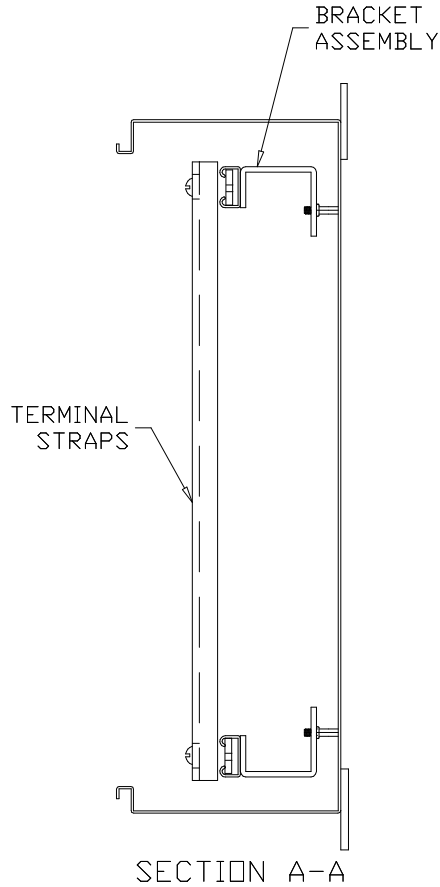
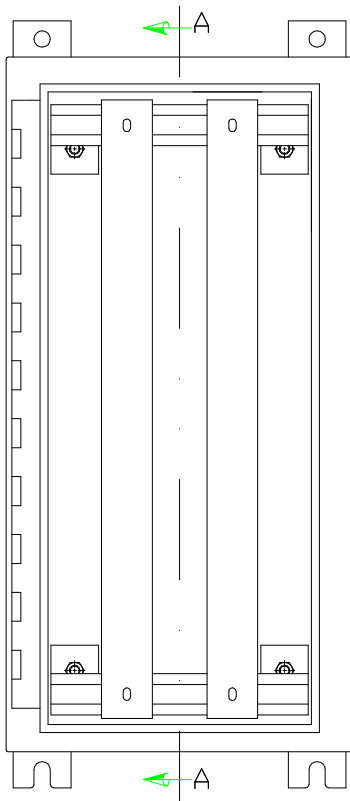


ASSEMBLY OF TERMINAL KIT IN "LP" ENCLOSURES

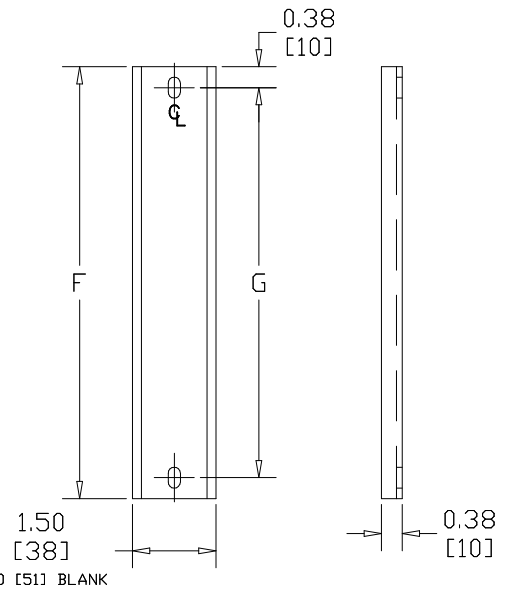


TERMINAL STRAPS

PART #	ENCLOSURE DIMENSION PARALLEL TO BRACKETS	F	G
SCE-16T	16.00 [406]	13.00 [330]	12.19 [310]
SCE-20T	20.00 [508]	17.00 [432]	16.19 [411]
SCE-24T	24.00 [610]	21.00 [533]	20.19 [513]
SCE-30T	30.00 [762]	27.00 [686]	26.19 [665]
SCE-36T	36.00 [914]	33.00 [838]	32.19 [818]
SCE-42T	42.00 [1067]	39.00 [991]	38.19 [970]
SCE-48T	48.00 [1219]	45.00 [1143]	44.19 [1122]
SCE-60T	60.00 [1524]	57.00 [1448]	56.19 [1427]

****NOTE****
 (2) 10-32 x 0.38 [10] SCREWS AND (2) #N7227 UNISTRUT NUTS ARE SUPPLIED WITH EACH TERMINAL STRAP
 SCE TERMINAL KIT ASSEMBLY FOR NEMA 4 AND 12 ENCLOSURES

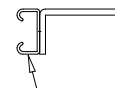
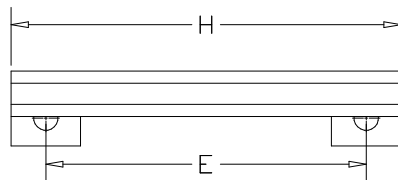
TERMINAL STRAPS DETAIL



BRACKET ASSEMBLY

PART #	QUANTITY	E	H
SCE-12NTMA2	2	7.25 [184]	8.50 [216]
SCE-16NTMA2	2	11.25 [286]	12.50 [317]
SCE-20NTMA2	2	15.25 [387]	16.50 [419]
SCE-24NTMA2	2	19.25 [489]	20.50 [521]
SCE-24NTMA3	3	19.25 [489]	20.25 [521]
SCE-30NTMA2	2	25.25 [641]	26.50 [673]
SCE-30NTMA3	3	25.25 [641]	26.50 [673]
SCE-36NTMA2	2	31.25 [794]	32.50 [825]
SCE-36NTMA3	3	31.25 [794]	32.50 [825]

SCE TERMINAL KIT ASSEMBLY FOR
 NEMA 4 AND 12 ENCLOSURES
 BRACKET ASSEMBLY DETAIL
 0.10 [3] H.R.S.



B-72 UNISTRUT

