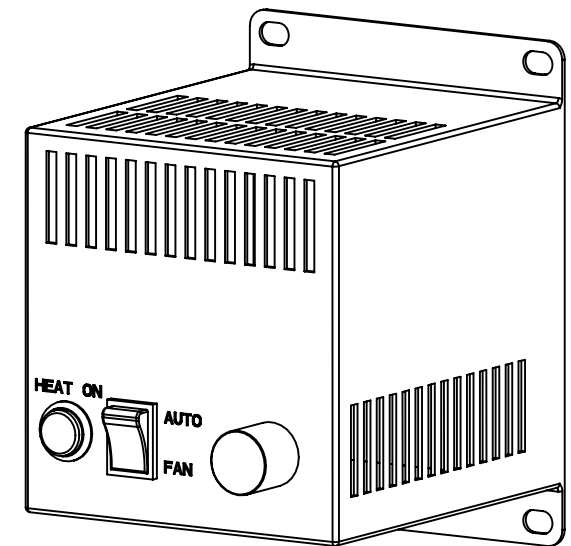
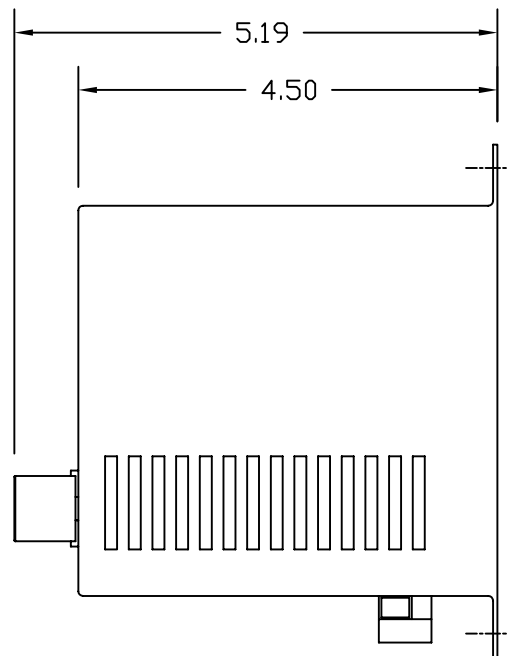
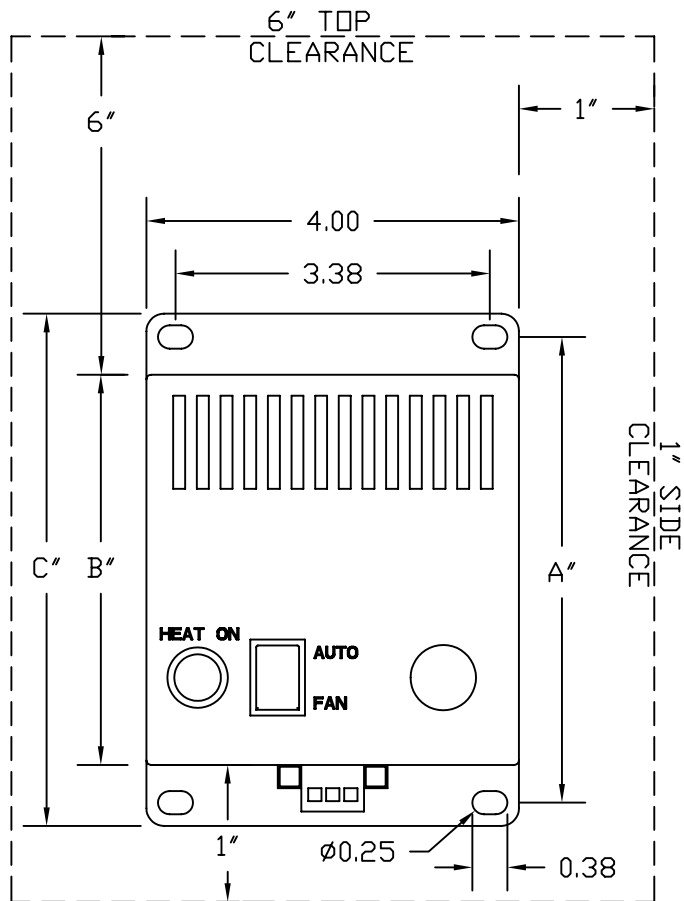


# FAN HEATER WITH THERMOSTAT

SCE P/N	PART I.D.	Watt @ 60Hz	Watt @ 50Hz	VOLT	AMPS	CMF	A"	B"	C"
SCE-HF1251A	112074	125	105	115	3	16	5.00"	4.19"	5.50"
SCE-HF2001A	112076	200	168	115	4.5	16	5.00"	4.19"	5.50"
SCE-HF4001B	112078	400	336	115	9	26	7.00"	6.19"	7.50"
SCE-HF8001B	112081	800	672	115	14	26	7.00"	6.19"	7.50"
SCE-HF1252A	112075	125	105	230	3	16	5.00"	4.19"	5.50"
SCE-HF2002A	112077	200	168	230	4.5	16	5.00"	4.19"	5.50"
SCE-HF4002B	112080	400	336	230	9	26	7.00"	6.19"	7.50"
SCE-HF8002B	112082	800	672	230	14	26	7.00"	6.19"	7.50"



Drawing:  
FAN-HEATER-W-THERM.DWG



**SAGINAW CONTROL AND ENGINEERING**  
95 MIDLAND ROAD  
SAGINAW, MICHIGAN 48636  
PHONE 989-799-4371  
FAX 989-799-4524